

Main CPU, LCD Connector, ISP

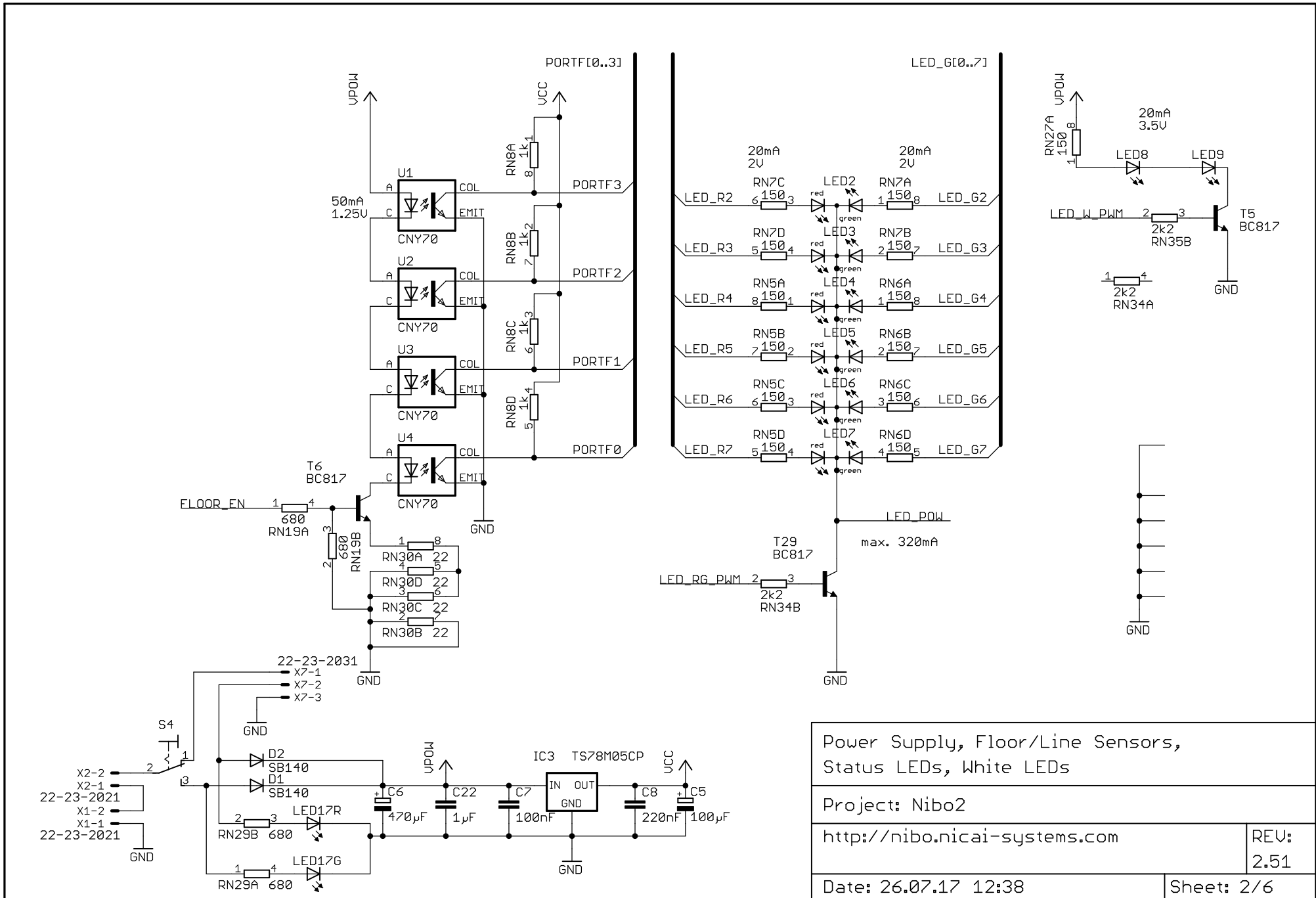
Project: Nibo2

<http://nibo.nicai-systems.com>

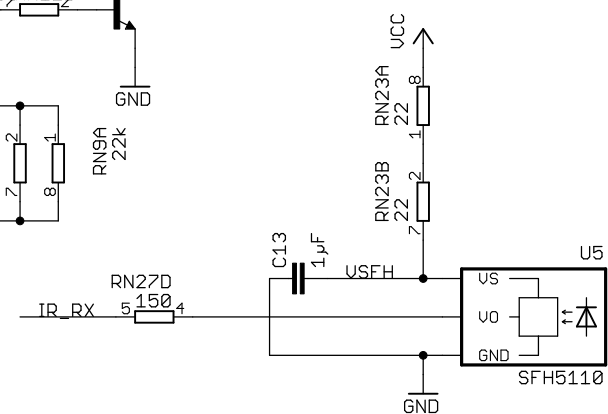
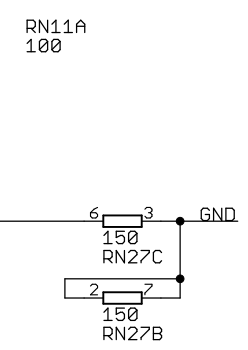
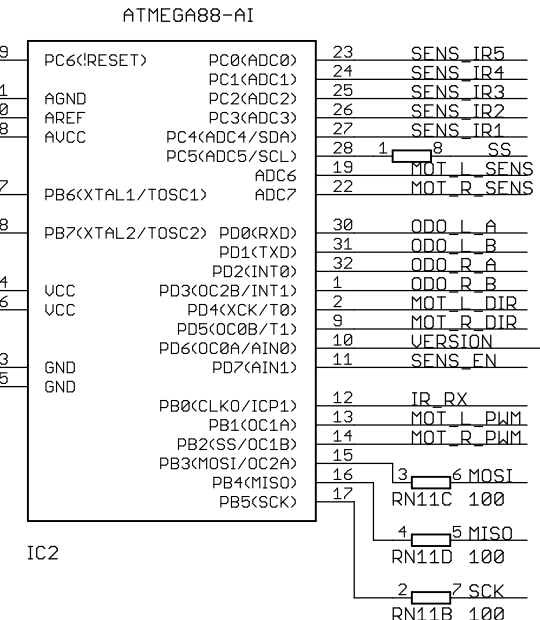
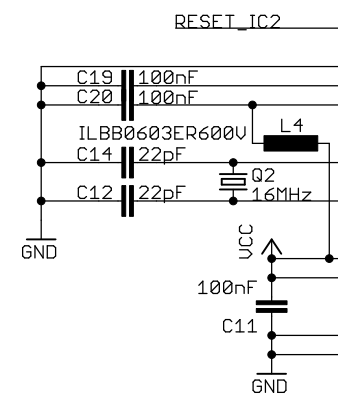
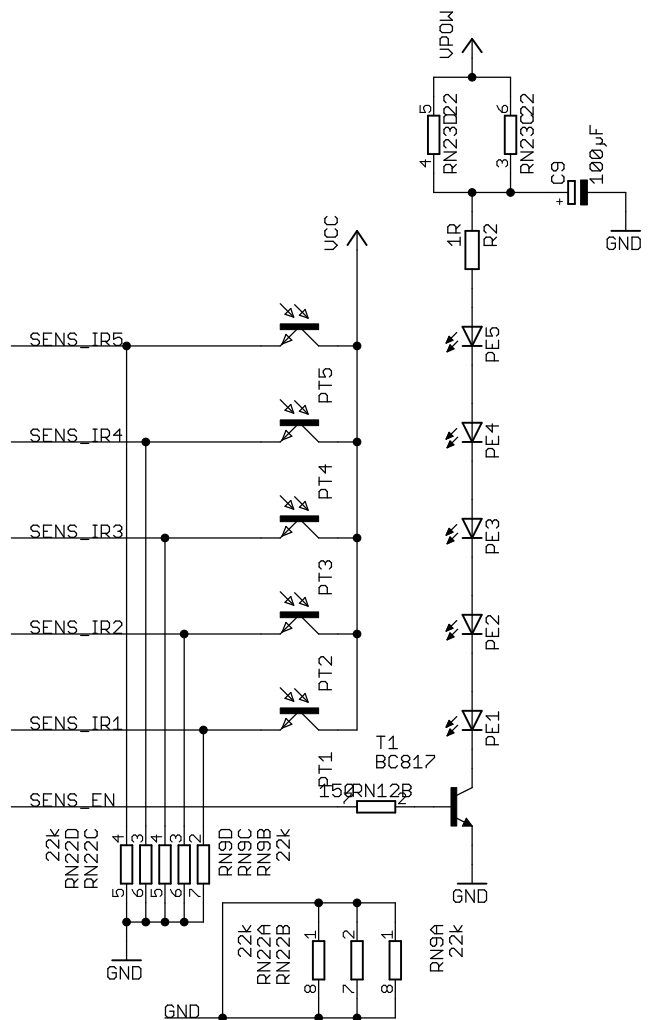
REV:
2.51

Date: 26.07.17 12:38

Sheet: 1/6



Power Supply, Floor/Line Sensors, Status LEDs, White LEDs	
Project: Nibo2	
http://nibo.nicai-systems.com	REV: 2.51
Date: 26.07.17 12:38	Sheet: 2/6



Secondary Microcontroller
Obstacle Detectors, IR Receiver

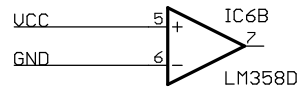
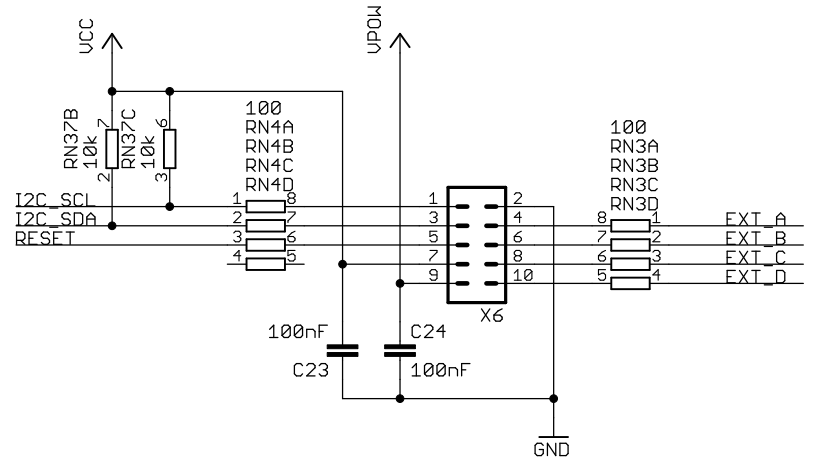
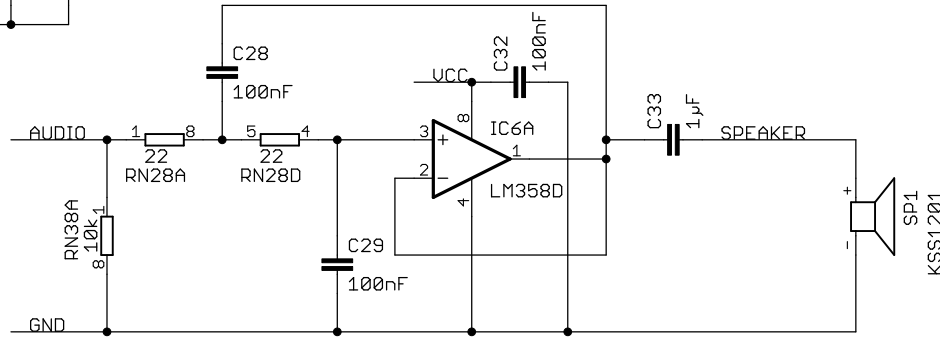
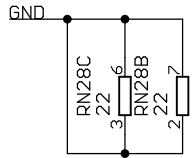
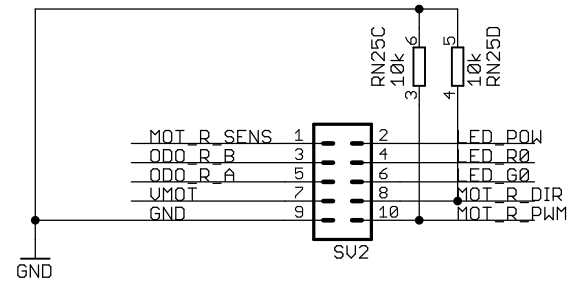
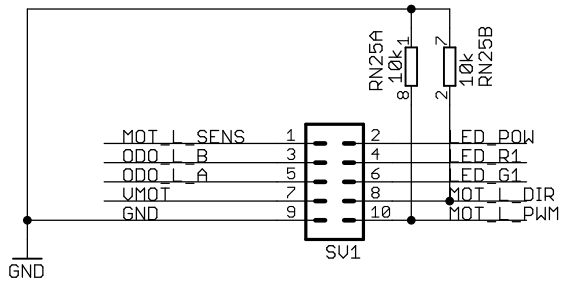
Project: Nibo2

<http://nibo.nicai-systems.com>

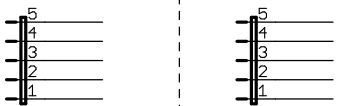
REV:
2.51

Date: 26.07.17 12:38

Sheet: 3/6



Experimental Boards



Motor Board Connectors, Expansion Port
Tone Generator + Experimental Boards

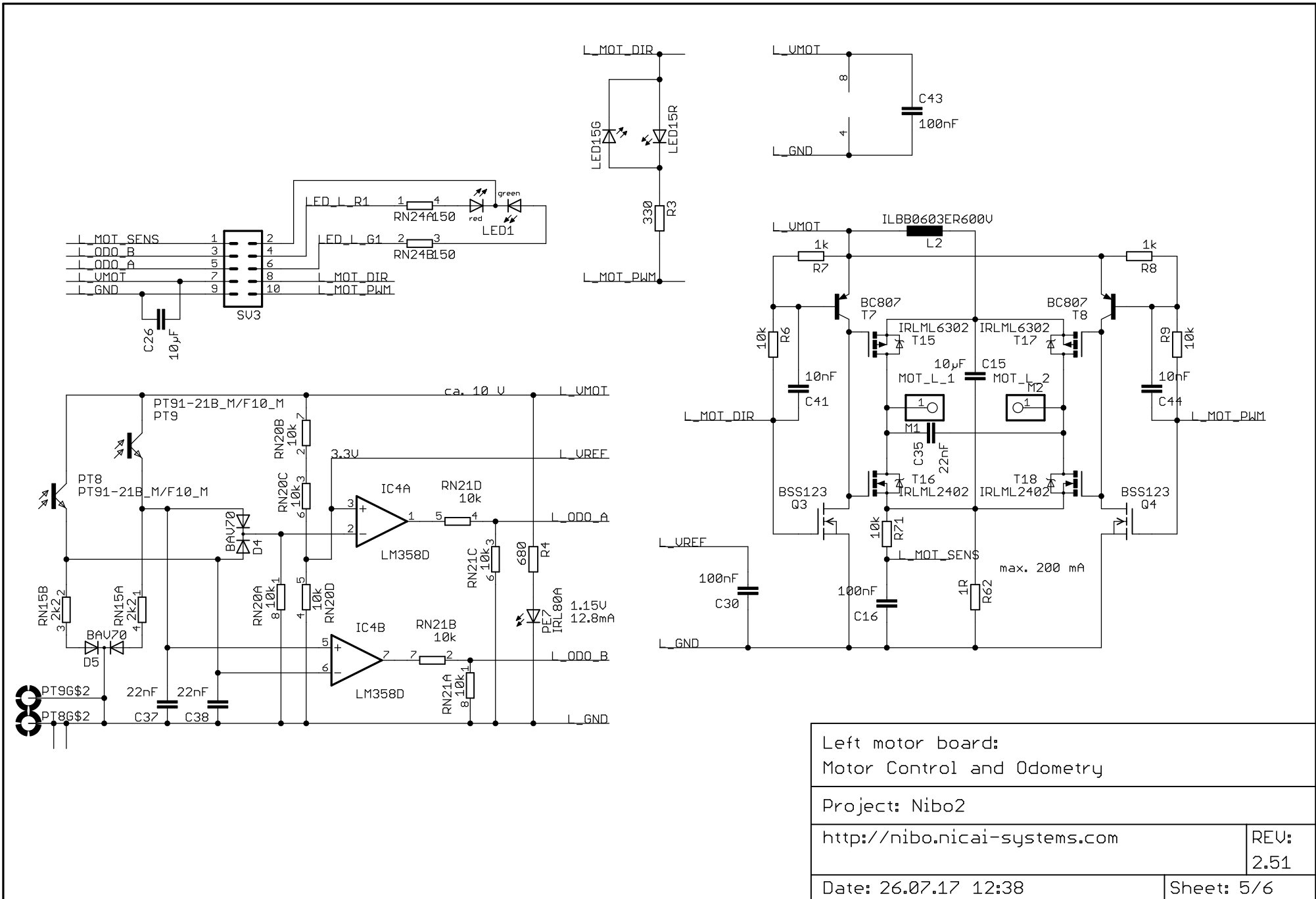
Project: Nibo2

<http://nibo.nicai-systems.com>

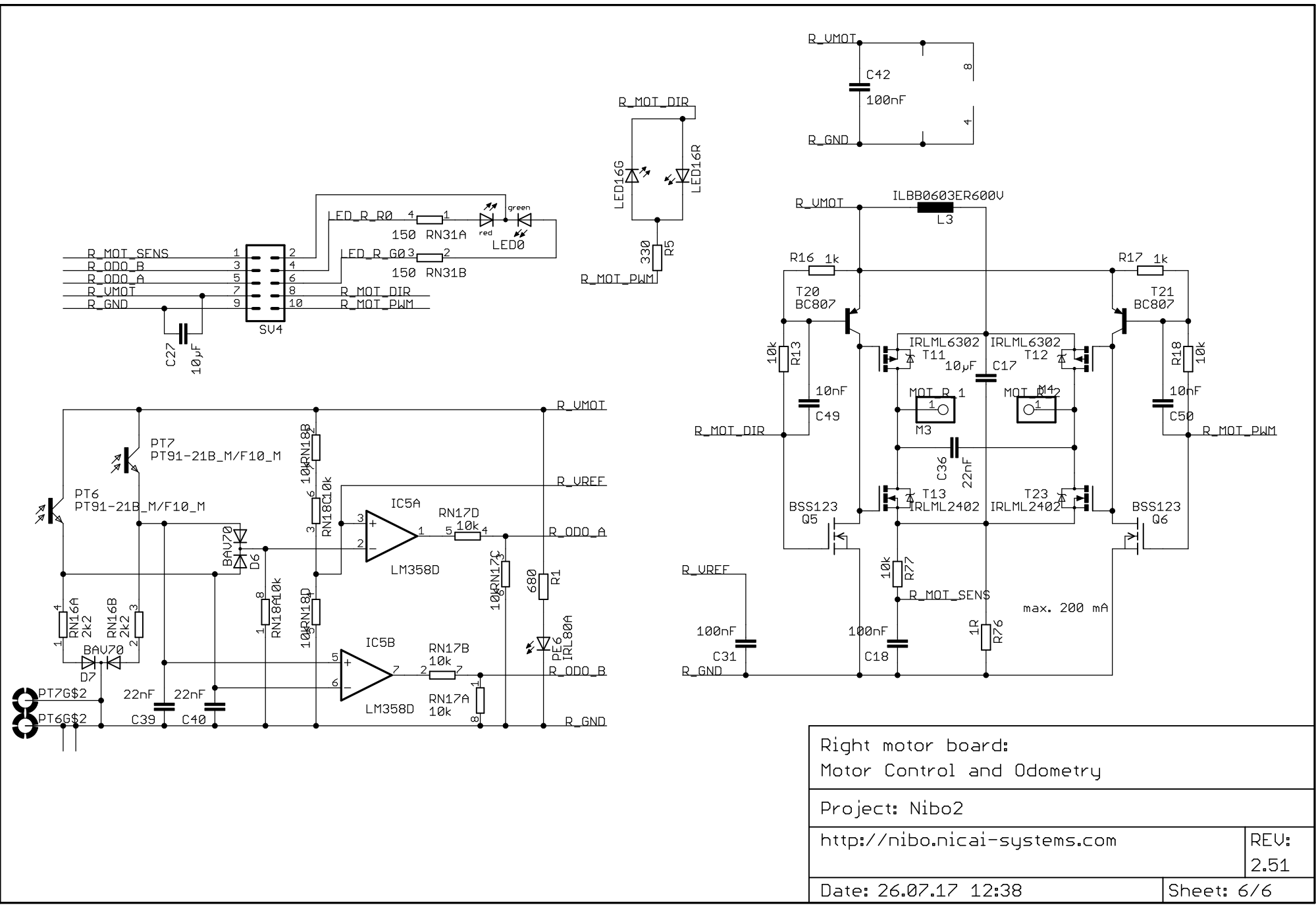
REV:
2.51

Date: 26.07.17 12:38

Sheet: 4/6



Left motor board: Motor Control and Odometry	
Project: Nibo2	
http://nibo.nicai-systems.com	
REV: 2.51	
Date: 26.07.17 12:38	Sheet: 5/6



Right motor board:
 Motor Control and Odometry

Project: Nibo2

<http://nibo.nicai-systems.com>

Date: 26.07.17 12:38

REV: 2.51

Sheet: 6/6