

Main CPU, LCD Connector, ISP

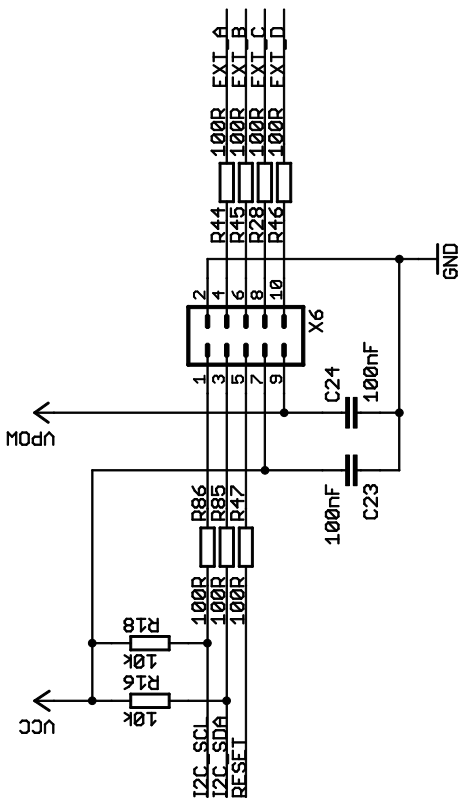
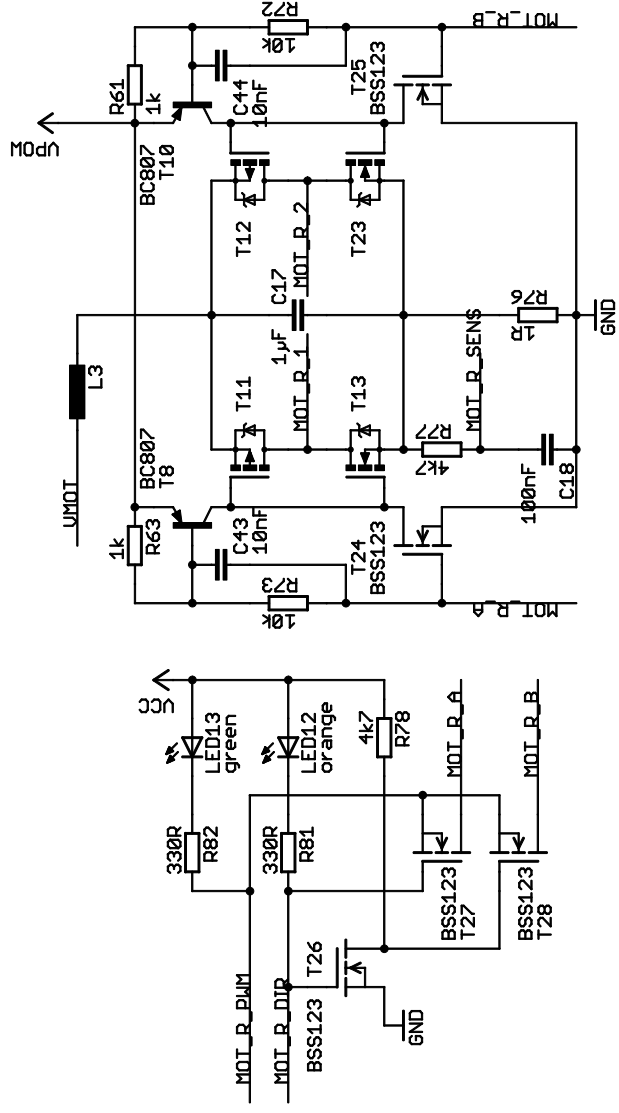
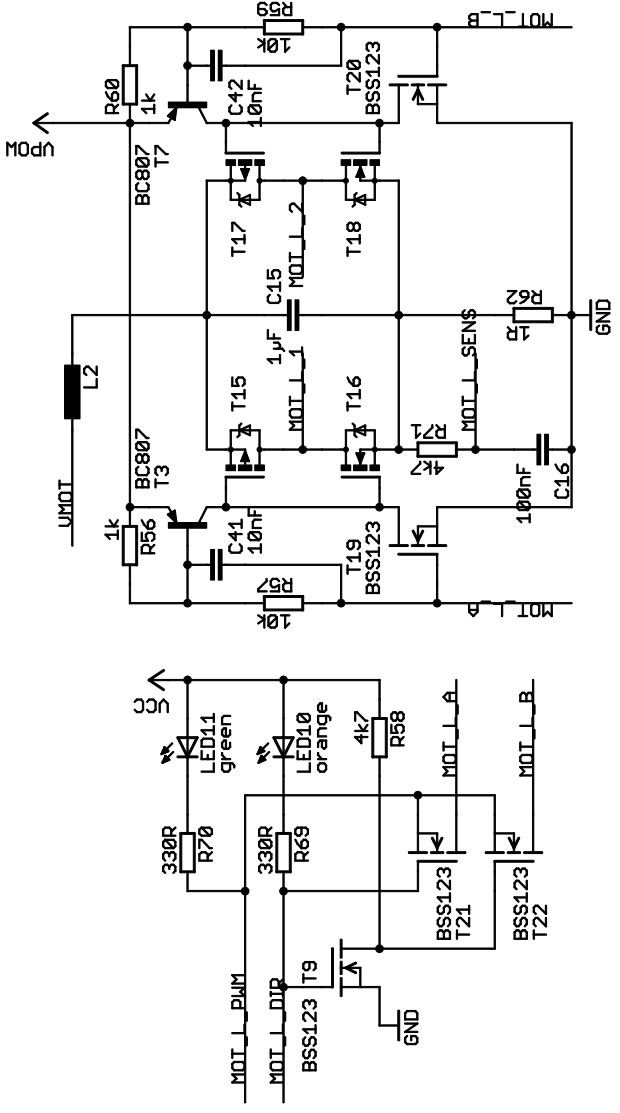
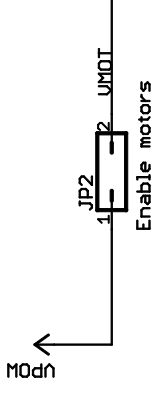
TITLE: Nibo2

<http://nibo.nical-systems.com>

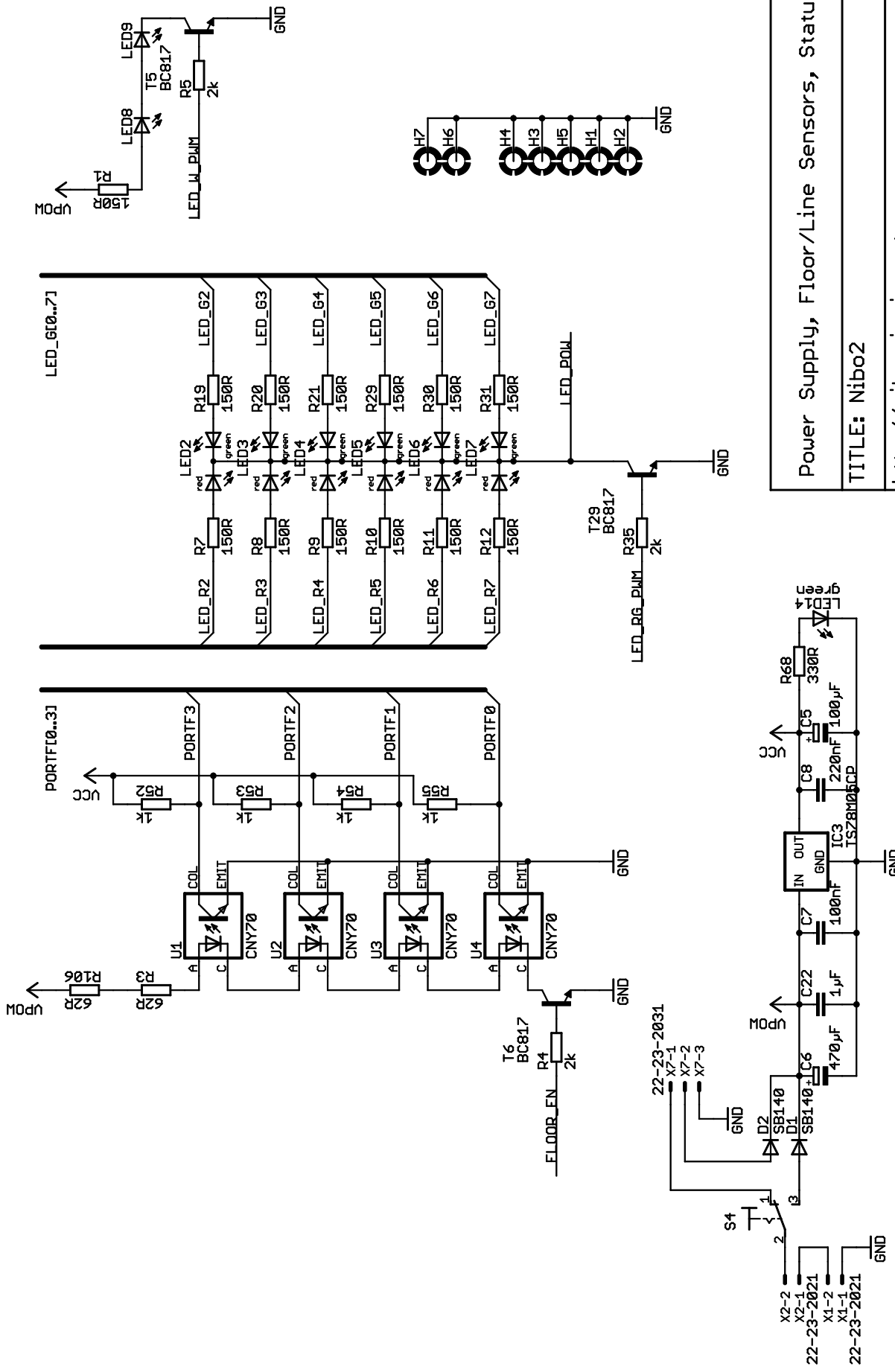
Date: 07.12.2008 11:57:15

REV: 2.04

Sheet: 1/6



Motor Control, Expansion Port	
TITLE: Nibo2	
<a href="http://nibo.nicai-systems.com">http://nibo.nicai-systems.com</a>	
Date: 07.12.2008 11:57:15	REV: 2.04
Sheet: 2/6	



Power Supply, Floor/Line Sensors, Status LEDs

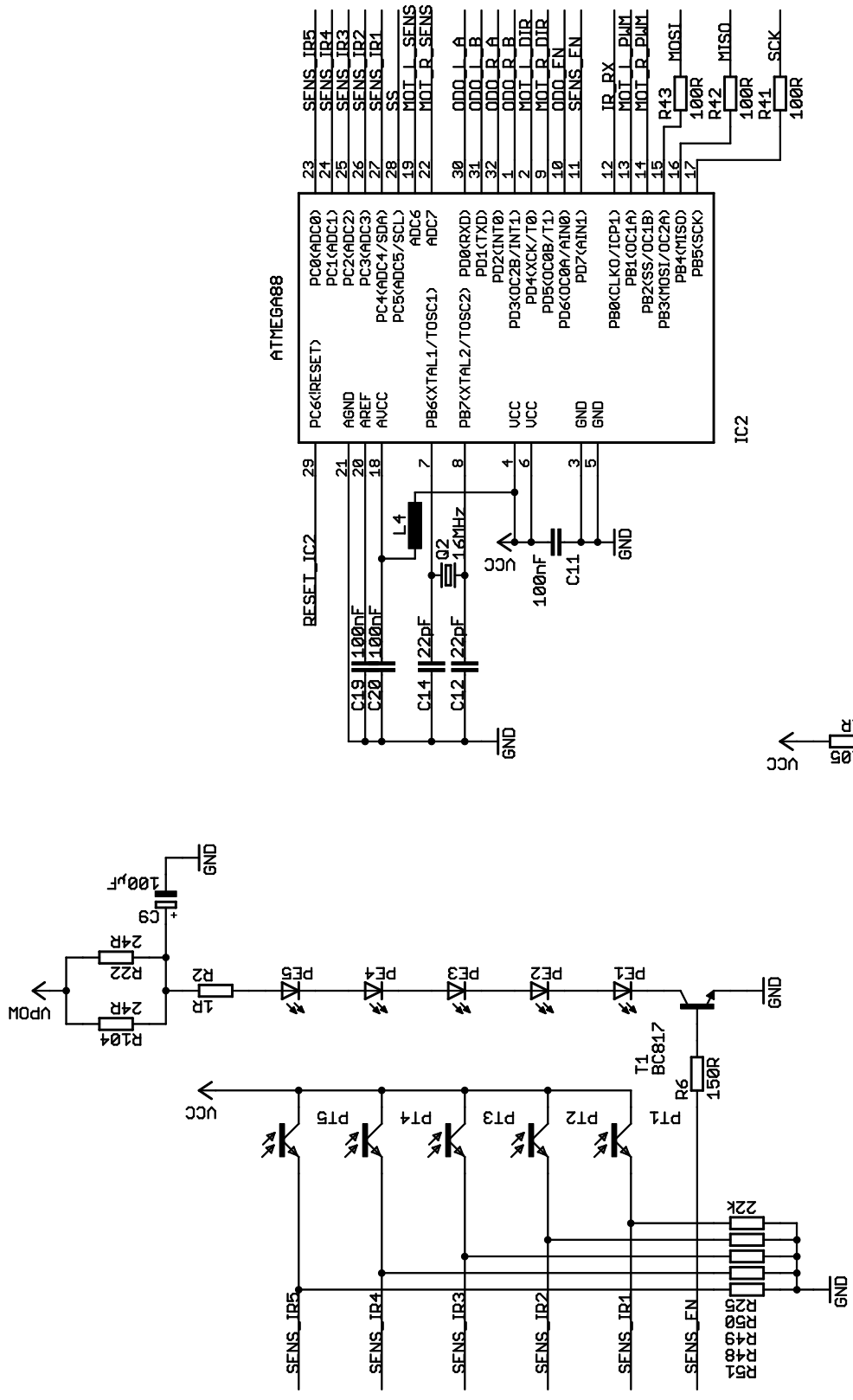
TITLE: Nibo2

<http://nibo.nicai-systems.com>

REV: 2.04

Date: 07.12.2008 11:57:15

Sheet: 3/6



Secondary Microcontroller  
Obstacle Detectors, IR Receiver

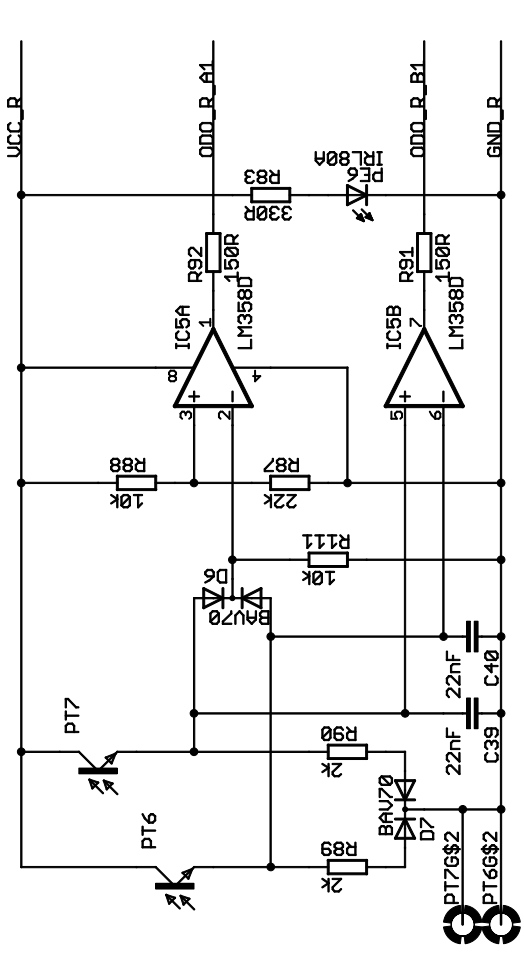
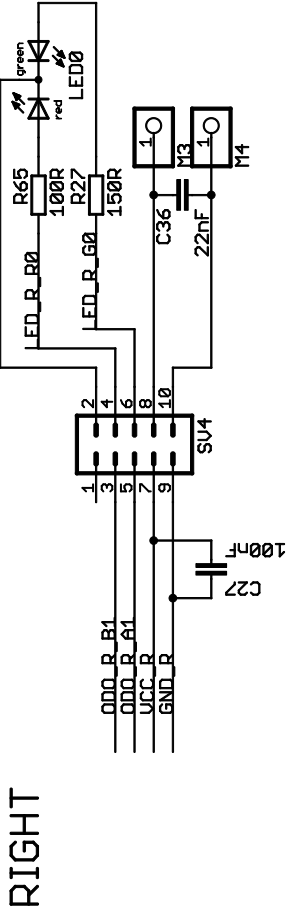
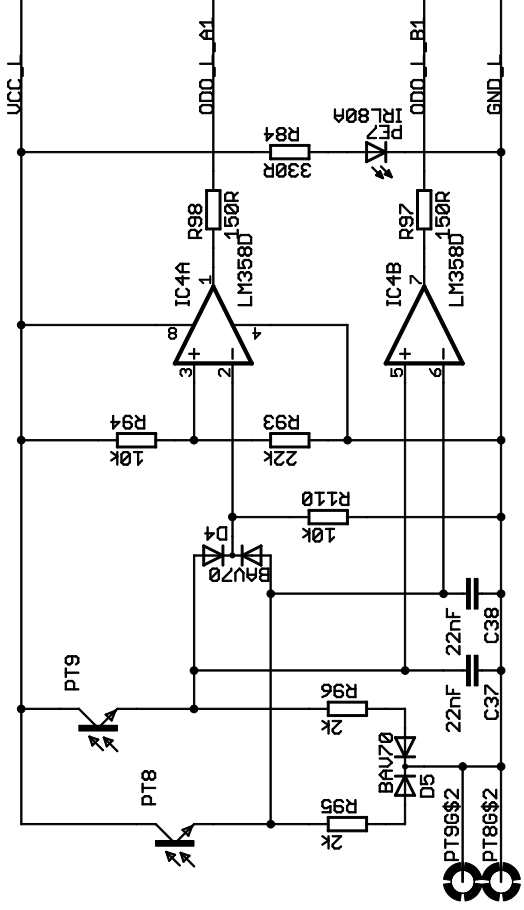
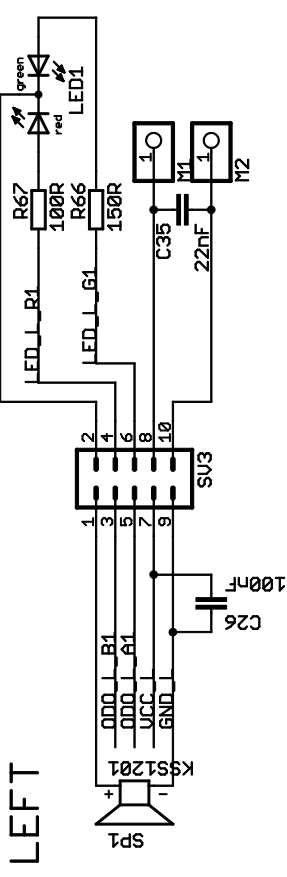
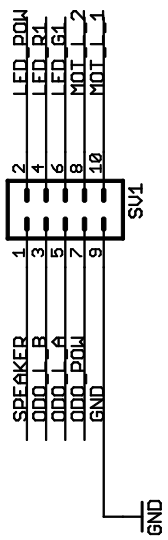
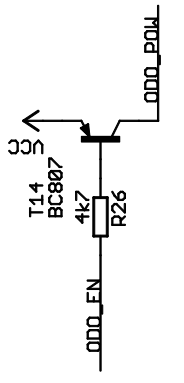
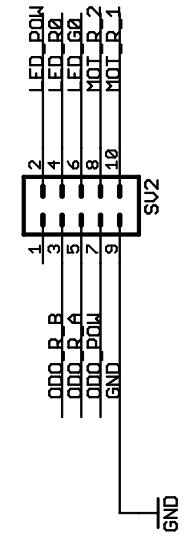
TITLE: Nibo2

<http://nibo.nicai-systems.com>

Date: 07.12.2008 11:57:15

Sheet: 4/6

REV:  
2.04



Odometry-sensor-boards

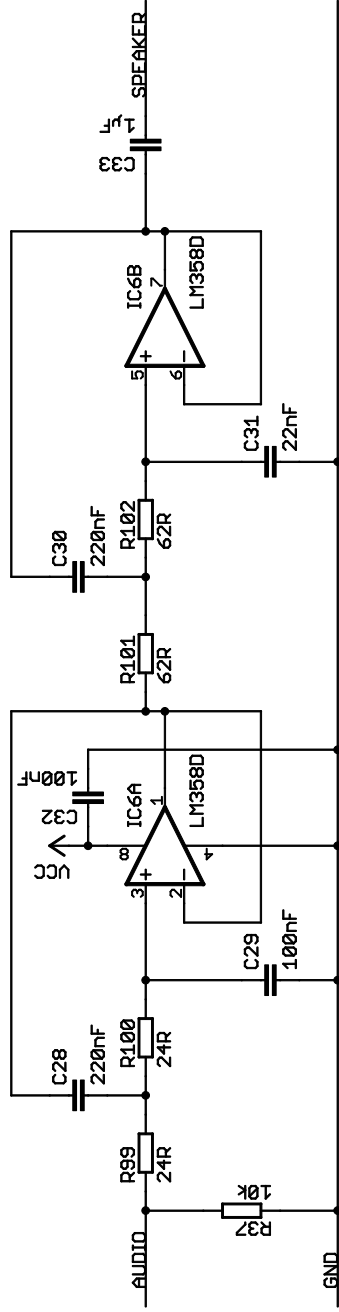
TITLE: Nibo2

<http://nibo.nical-systems.com>

REV: 2.04

Date: 07.12.2008 11:57:15

Sheet: 5/6



Tone Generator

TITLE: Nibo2

<http://nibo.nicai-systems.com>

REV:  
2.04

Date: 07.12.2008 11:57:15

Sheet: 6/6

